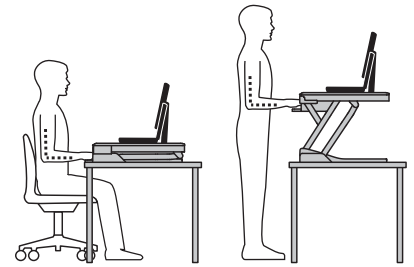
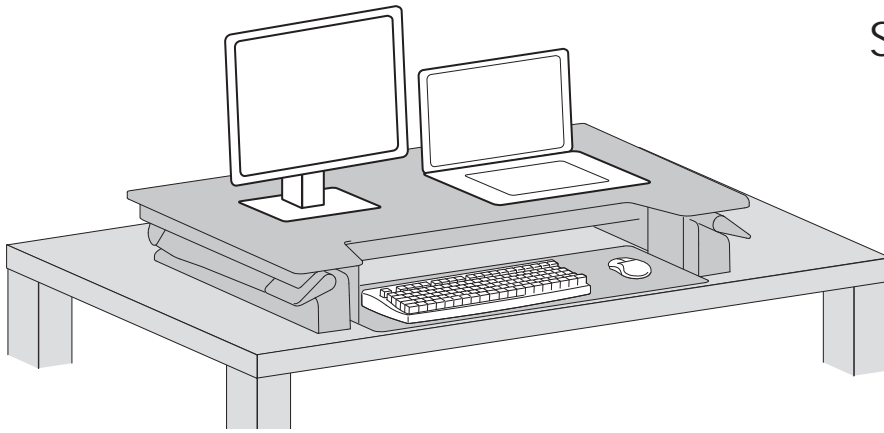
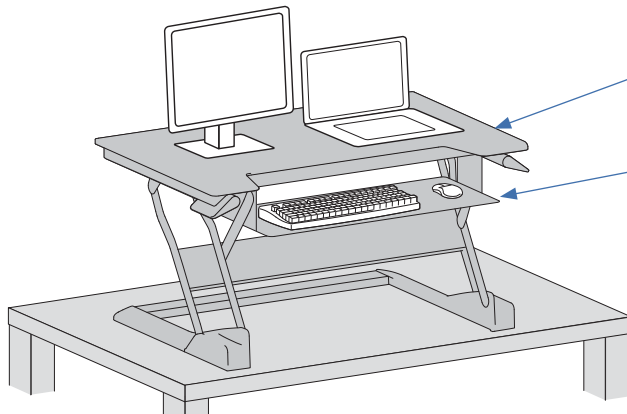
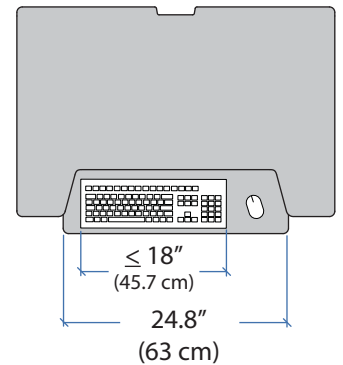
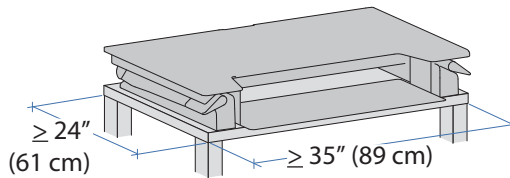
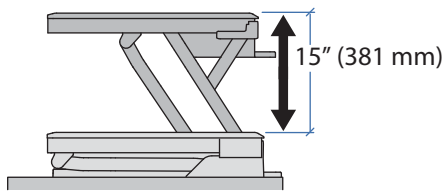


# WorkFit-T

## Sit-Stand Desktop Workstation



### Features & Specifications



**A** **LB**  
**kg** 10 - 35 lbs  
(4.5 - 15.88 kg)

**B** **LB**  
**kg** ≤ 5 lbs  
(2.27 kg)

**A+B = 10 - 35 lbs (4.5-15.9 kg)**



**CAUTION: DO NOT EXCEED MAXIMUM LISTED WEIGHT CAPACITY. SERIOUS INJURY OR PROPERTY DAMAGE MAY OCCUR!**

ENGLISH



### Components

	A	B	C	D
1				

### Tools Needed



For the latest User Installation Guide please visit: [www.ergotron.com](http://www.ergotron.com)



User's Guide - English  
 Guía del usuario - Español  
 Manuel de l'utilisateur - Français  
 Gebrauchsgids - Deutsch  
 Benutzerhandbuch - Nederlands  
 Guida per l'utente - Italiano  
 Användarhandbok - svenska  
 ユーザーガイド : 日本語  
 用户指南 : 汉语



Includes  
 Constant Force™  
 Technology





[www.ergotron.com](http://www.ergotron.com)

USA 1-800-888-8458  
 Europe +31 (0)33-45 45 600  
 China 400-120-3051

# Safety

 **Warning:** Because mounting surface materials can vary widely, it is imperative that you make sure mounting surface is strong enough to handle mounted product and equipment.

 <b>WARNING</b>	 <small>828-100</small>
<b>PINCH POINT</b> DO NOT place hands on or near support bars. Pinch points are created during lifting and lowering the worksurface. Failure to follow these instructions may result in serious personal injury.	

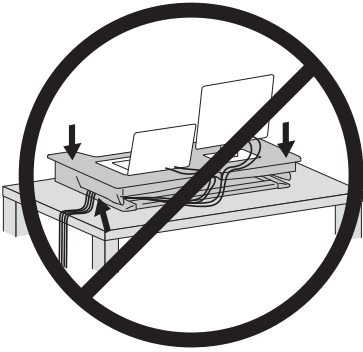


**Warning: Impact Hazard! Moving Parts can Crush and Cut.**  
Raise this product to its full up position before lifting off the desk.  
Two people are required to lift this product off the desk.  
Do not tip this product on its side or upside down. This product must remain upright at all times.  
Failure to heed this warning may cause unintended motion of the lift mechanism resulting in possible serious personal injury and or property damage!



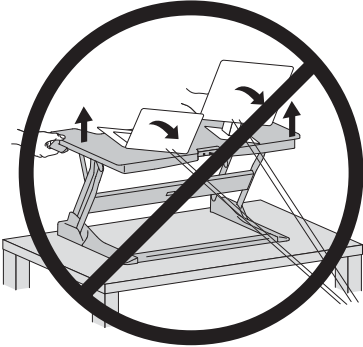
**Warning: Impact Hazard! Moving Parts can Crush and Cut.**  
Raise worksurface to top of vertical adjustment **BEFORE** removing equipment.  
Failure to heed this warning may result in serious personal injury and or property damage!

# Safety



**Caution:**

To avoid the potential to pinch cables it is important to follow the cable routing instructions in this manual. Failure to follow these instructions may result in equipment damage or personal injury.



**Caution:**

Leave enough slack in cable to allow for full range of vertical motion (15" / 38 cm). Failure to heed this warning may result in property damage and or personal injury.



**Caution:**

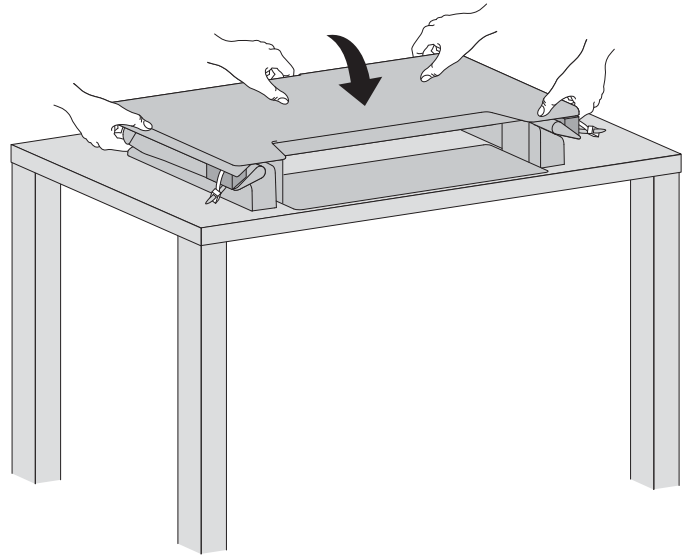
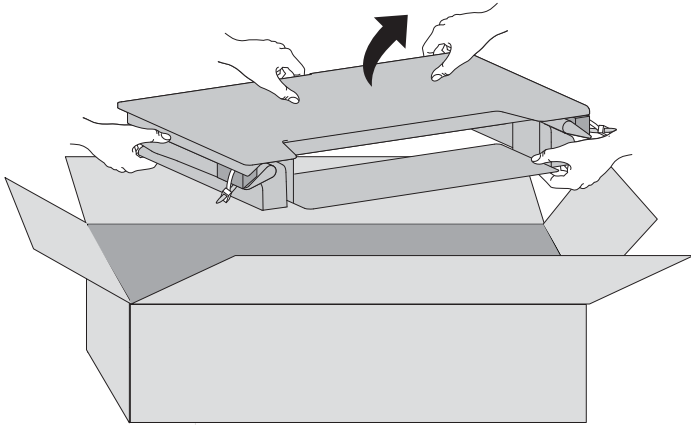
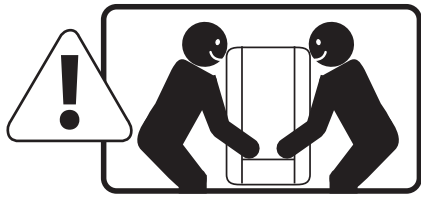
Keep monitor and laptop base fully on the worksurface. Allowing any part of base or stand to hang off the edge may result in property damage and or personal injury.



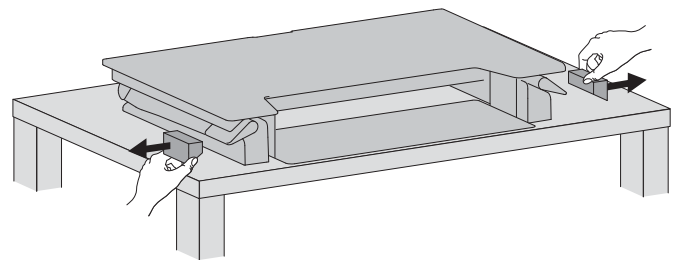
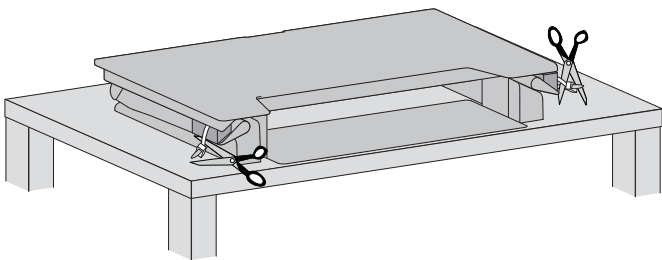
**Caution:**

Raise worksurface slowly. Raising worksurface too fast may create an unstable situation resulting in property damage and or personal injury.

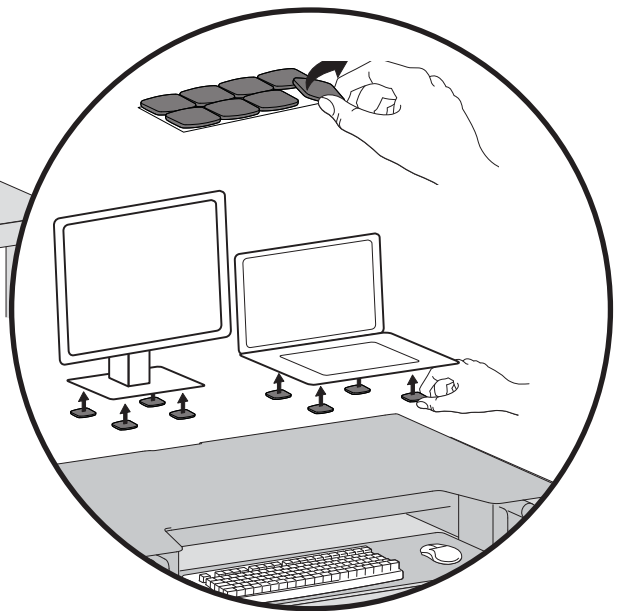
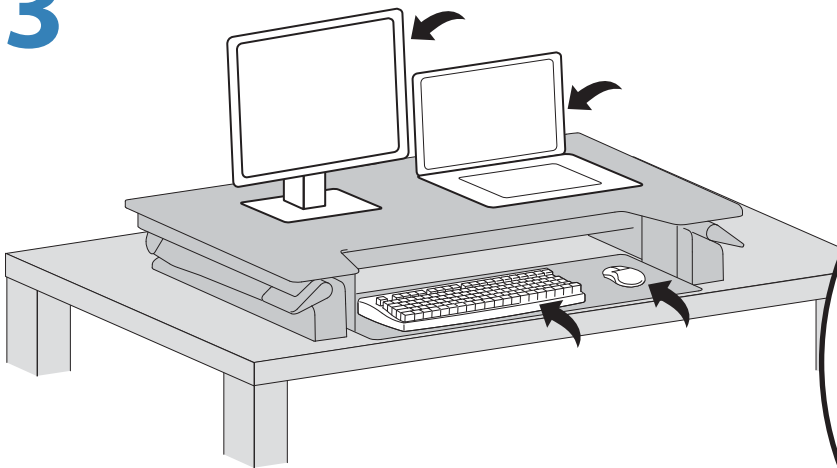
1



2

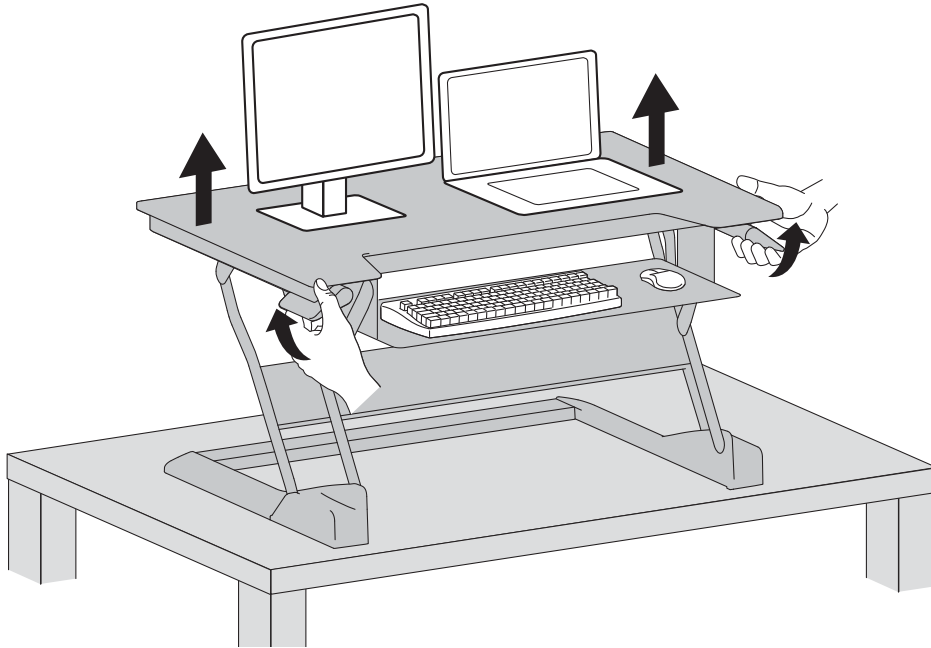


3

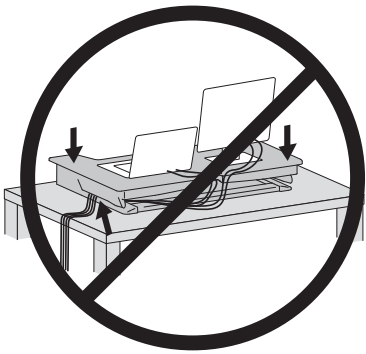


**Caution:** Keep monitor and laptop base fully on the worksurface. Allowing any part of base or stand to hang off the edge may result in property damage and or personal injury.

4

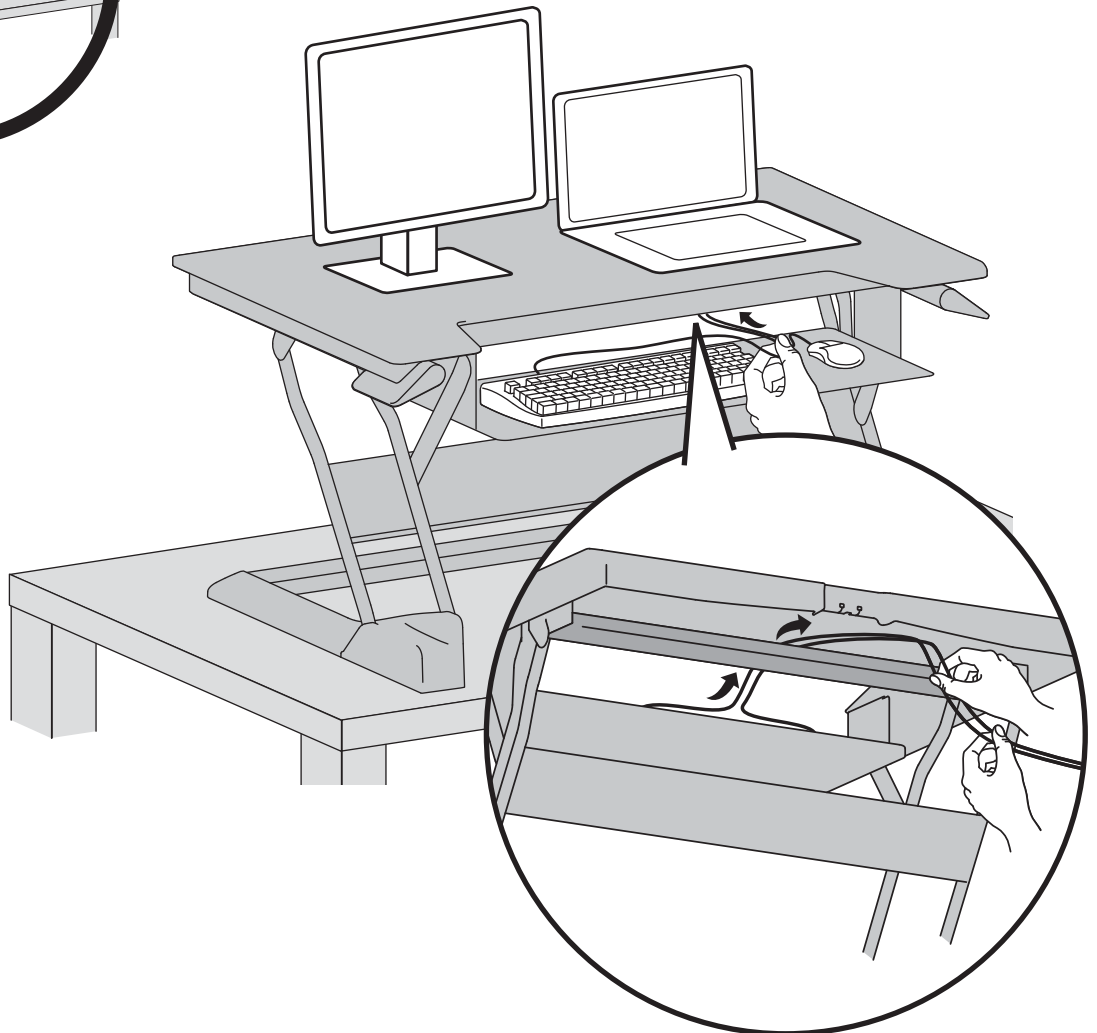


5

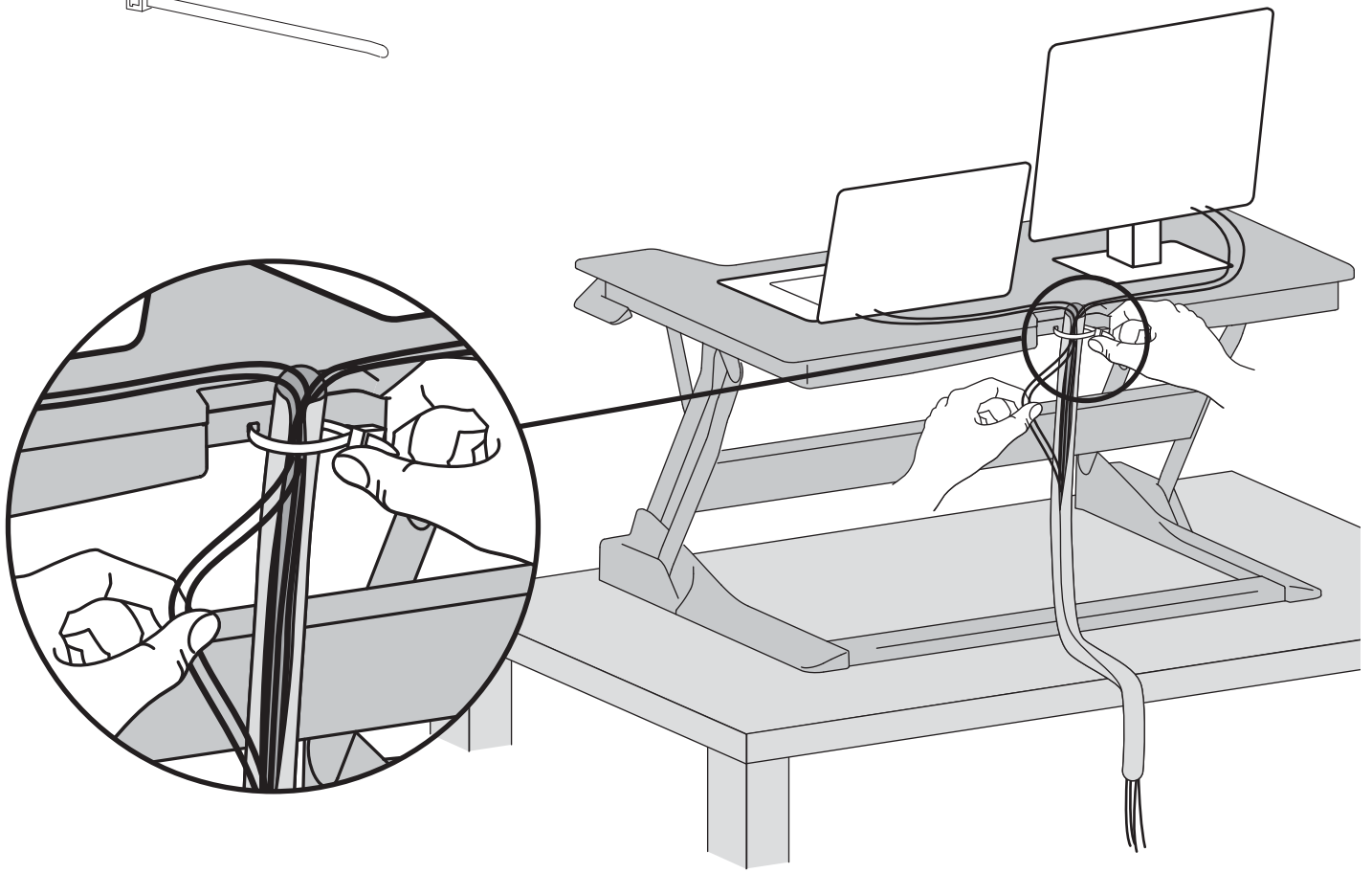
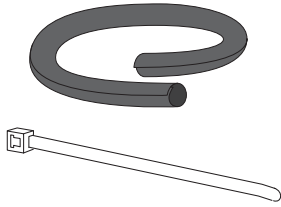


**Caution:**

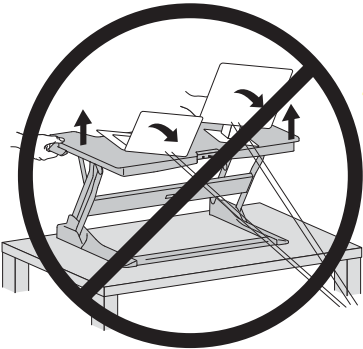
To avoid the potential to pinch cables it is important to follow the cable routing instructions in this manual. Failure to follow these instructions may result in equipment damage or personal injury.



6

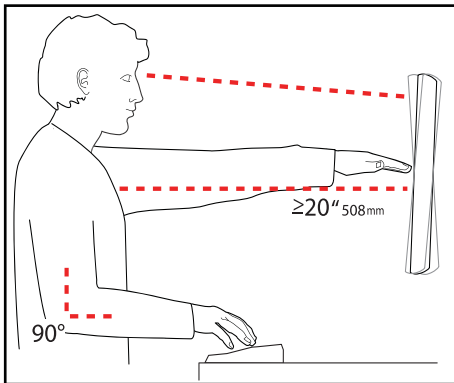


ENGLISH



**Caution:** Leave enough slack in cable to allow for full range of vertical motion (15" / 38 cm). Failure to heed this warning may result in property damage and or personal injury.

## Set Your Workstation to Work For YOU!



Learn more about ergonomic computer use at:  
[www.computingcomfort.org](http://www.computingcomfort.org)

- Height** Position top of screen slightly below eye level.  
Position keyboard at about elbow height with wrists flat.
- Distance** Position screen an arm's length from face—at least 20" (508mm).  
Position keyboard close enough to create a 90° angle in elbow.
- Angle** Tilt screen to eliminate glare.  
Tilt the keyboard back 10° so that your wrists remain flat.

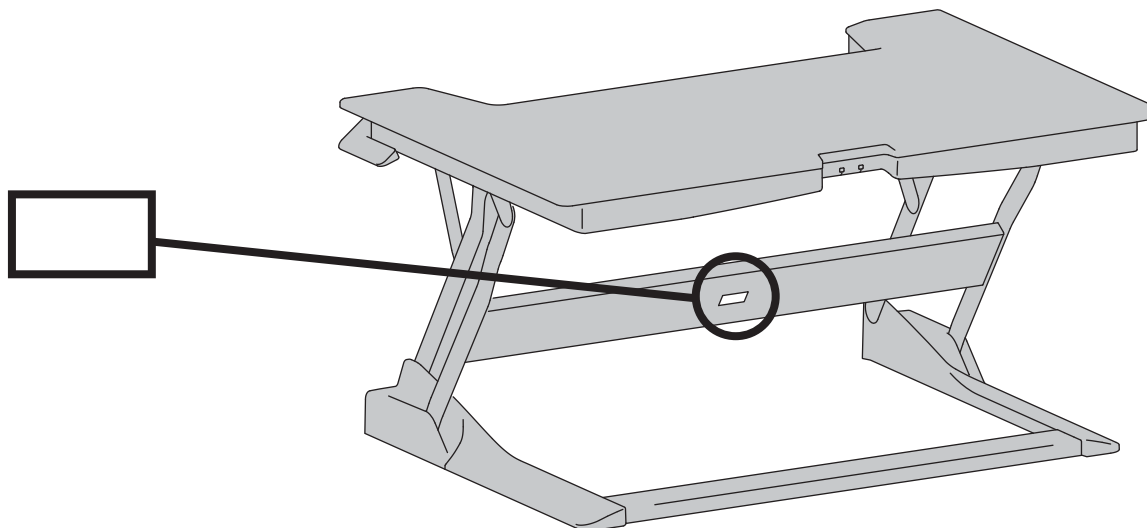
To Reduce Fatigue  
Breathe - Breathe deeply through your nose.  
Blink - Blink often to avoid dry eyes.  
Break • 2 to 3 minutes every 20 minutes  
• 15 to 20 minutes every 2 hours.

For service and warranty visit [www.ergotron.com](http://www.ergotron.com)

For local customer care phone numbers visit: <http://contact.ergotron.com>



**NOTE:** When contacting customer service, reference the serial number.



ENGLISH

### Americas Sales and Corporate Headquarters

1181 Trapp Rd.  
St. Paul, MN USA  
(800) 888-8458  
+1-651-681-7600  
[www.ergotron.com](http://www.ergotron.com)  
[sales@ergotron.com](mailto:sales@ergotron.com)

### EMEA Sales

Amersfoort, The Netherlands  
+31 33 45 45 600  
[www.ergotron.com](http://www.ergotron.com)  
[info.eu@ergotron.com](mailto:info.eu@ergotron.com)

### APAC Sales

Tokyo, Japan  
[www.ergotron.com](http://www.ergotron.com)  
[apaccustomerservice@ergotron.com](mailto:apaccustomerservice@ergotron.com)

### Worldwide OEM Sales

[www.ergotron.com](http://www.ergotron.com)  
[info.oem@ergotron.com](mailto:info.oem@ergotron.com)

### ERGOTRON®

While Ergotron, Inc. makes every effort to provide accurate and complete information on the installation and use of its products, it will not be held liable for any editorial errors or omissions (including those made in the process of translation from English to another language), or for incidental, special or consequential damages of any nature resulting from furnishing this instruction and performance of equipment in connection with this instruction. Ergotron, Inc. reserves the right to make changes in the product design and/or product documentation without notification to its users. For the most current product information, or to know if this document is available in languages other than those herein, please contact Ergotron. No part of this publication may be reproduced, stored in a retrieval system, or transmitted in any form or by any means, electronic, mechanical, photocopying, recording or otherwise without the prior written consent of Ergotron, Inc., 1181 Trapp Road, Eagan, Minnesota, 55121, USA. Patents Pending and Patented U.S. & Foreign. Ergotron is a registered trademark of Ergotron, Inc.

© 2015 Ergotron, Inc. All rights reserved.